



ROBOTIC CART THOUZER

THOUZER-BASIC

SIMPLE IMPLEMENTATION

Easy to use
Affordable price
Fast deployment time

WORK IN MANY CONDITIONS

Bumps and slope
Day and night
Light rain

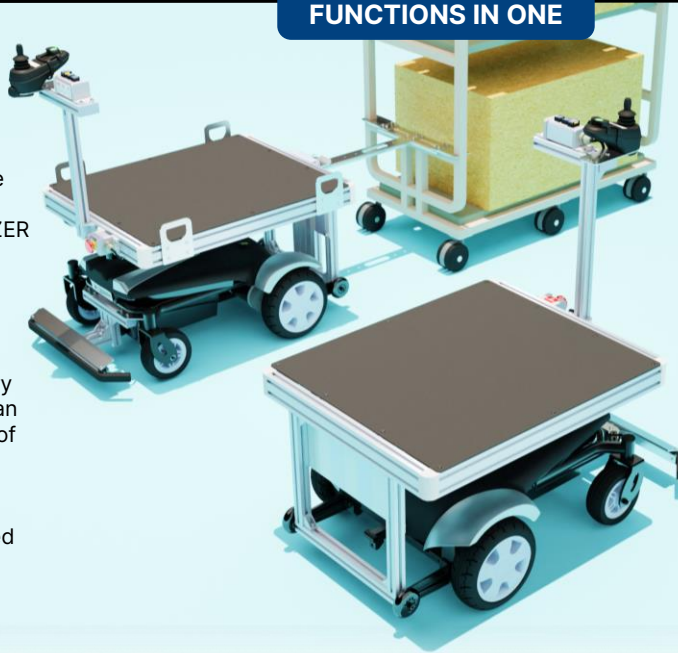
PLUG & PLAY SOLUTION

No Wi-Fi required
Button operation only
No complicated software

TWO NAVIGATION FUNCTIONS IN ONE

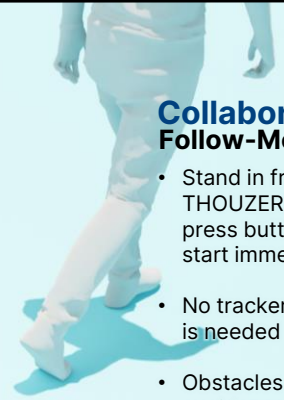
Autonomous Memory Trace®

- Simply perform route memorization by maneuvering THOUZER
- Press button to start autonomous route playback
- Up to 5 route memory and multiple stops can be set in the middle of the route
- Suitable to use for routine task with fixed destination



Collaborative Follow-Me

- Stand in front of THOUZER and press button to start immediately
- No tracker device is needed
- Obstacles avoidance feature
- Suitable to use for non-routine task



THOUZER BASIC IMPLEMENTATION



Day/Night



Slope/Step



Light Rain



Gravel



Grating/Gap



Water Puddle

Scale up productivity by using multiple THOUZERs in convoy

Fully utilized THOUZER capability by towing your existing trolley/cart

THOUZER Follow-Me increases the operator productivity instantly

Set up autonomous goods transportation routes easily using Memory Trace®

Let THOUZER run in a loop for a continuous route

Set multiple designated stops in the middle of the route



PRODUCT SPECIFICATION

PRODUCT MODEL		THOUZER MINI (RMS-05B2)	THOUZER STANDARD (RMS-10B2)	THOUZER GIANT (RMS-15B2)
DIMENSIONS	Robot Dimension	450 mm (W) x 485 mm (L)	600 mm (W) x 950 mm (L)	700 mm (W) x 1180 mm (L)
	Loading Platform	450 mm (W) x 330 mm (L)	600 mm (W) x 750 mm (L)	700 mm (W) x 1000 mm (L)
	Platform Height	295 mm	455 mm	455 mm
PAYLOAD	Payload	60 kg	120 kg	300 kg
	Towing Capacity	150 kg	300 kg	600 kg
SPEED & MOBILITY	Max Speed	5.5 km/h (FM) 3.6 km/h (MT)	7.5 km/h (FM), 3.6 km/h (MT)	
	Min Radius of Rotation	~0.36m	~0.72m	~1.0m
	Max Slope Gradient	6 degrees (maximum payload)		
	Max Step Traversing	3 cm (edge 45°)		
NAVIGATION	Navigation Modes Availability	Follow-Me Memory Trace® (maximum 5 routes)		
POWER	Battery (Lead-acid)	2x 12V 22Ah	2x 12V 34Ah	2x 12V 75Ah
	Battery Run Time (Distance)	Up to 15 km (Full Charge)	Up to 20 km (Full Charge)	
	Charging Time	Approximately up to 8 Hours (0% - 100%)		
PROTECTION	IP Class	N/A	IPX2	
SENSOR & SAFETY SYSTEM	LiDAR Sensor (Class 1 safety) Specification	Memory Trace Range (30m) Height (~30cm) FOV (320°)		Memory Trace Range (30m) Height (~30cm) FOV (270°)
	Safety Features	Obstacle Detection Emergency Stop Button (Front), Bumper Switch Alarm Device (Sound)		



THOUZER MINI (RMS-05B2)

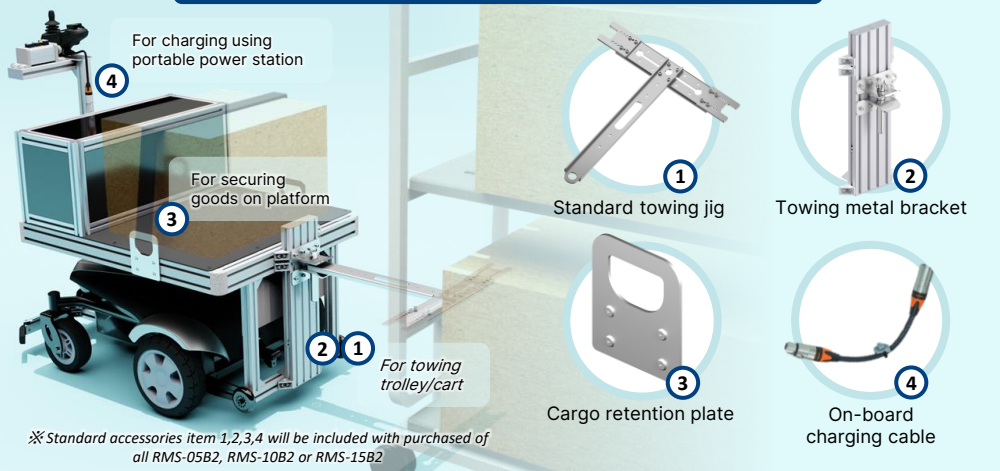


THOUZER STANDARD (RMS-10B2)



THOUZER GIANT (RMS-15B2)

You can do it yourself with these accessories



Set up tutorial



Doog provide video tutorial on every steps from unboxing, complete assembly and operation of THOUZER BASIC.

Please check on the QR code for the link on how-to-setup video tutorial playlist



Video Tutorial

Notes

※1 BASIC model has limited customization option. If you need any sorts of customization, please refer to THOUZER E-SERIES model

※2 Memory Trace for BASIC model will only work in stable environment. For highly dynamic environment, please refer to THOUZER E-SERIES model

※3 BASIC model has towing capability; however, it cannot be used to tow trolley with only free wheels. Further customization is required

※4 There are limitation to this product. Please read through the product instruction manual to understand on how to operate safely



Follow us at Doog Inc:



Product PV

Japan (Headquarter)
Doog Inc.
3 Chome-18-4 Azuma,
Tsukuba, Ibaraki 305-0031, Japan

Singapore
Doog International Pte Ltd
140 Paya Lebar Road,
#05-07, AZ@Paya Lebar Singapore 409015
Tel: +65 6513 0607

Distributor:

Product specifications, appearance, prices, etc. are subject to change without notice